

72" MARSHALL CAST IRON DOUBLE SLIPPER TUB WITH BASE

Cat. No.
CTDSNB



L: 72"
L (Base): 47"
W: 30-1/2"
W (Base): 23-1/2"
H: 30" (from floor to top of tub)
H(Base): 7-1/2"

The following is recommended for CTDSNB tubs without faucet holes:

- Faucet: Part# 4602
- Rigid, freestanding supplies: Part# 4502
- Leg tub drain: Part# 5599

Gallon Capacity: 43
Shipping Weight: 740 lbs.
Empty Weight: 490 lbs.
Filled Weight: 854 lbs.

Interior bottom

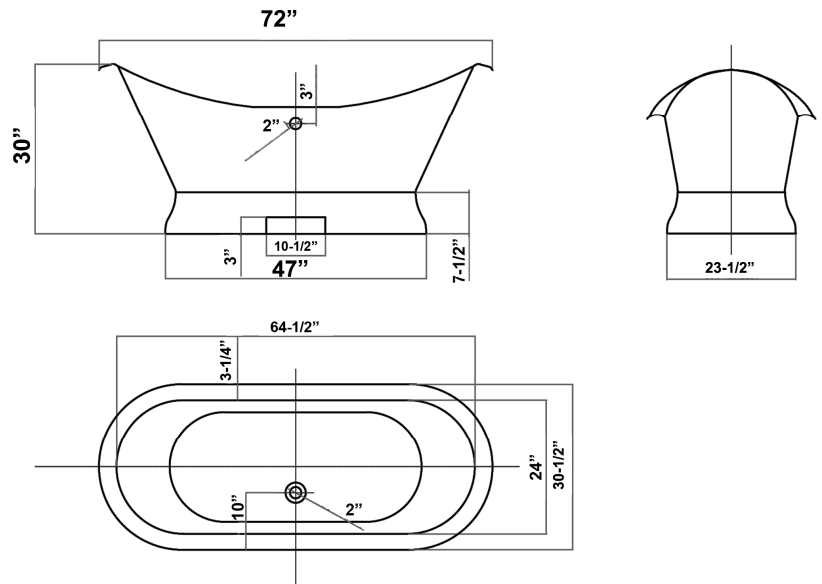
L: 36"
W: 16-1/2"
H: 16-3/4- Drain to rim
H: 11-3/4" Drain to bottom OF

Features:

- ▶ Inside finish is white enamel
- ▶ Rim: 3-1/4"
- ▶ No faucet holes
- ▶ Pre-drilled overflow hole
- ▶ Tub exterior is white
- ▶ Non-skid strips
- ▶ Continuous rolled rim
- ▶ Cutout in base for waste and overflow



Custom Colors Available (inside of tub is always white enamel):
Painted bathtubs are considered "special order" and are not returnable
\$160 Bisque or Black \$250 Designer Color



Dimensions of fixture are nominal and may vary within the range of tolerances established by ANSI Standard A112.19.2. Dimensions and specifications subject to change without notice.